

Atwater Kent

Model: 35

Chassis:

Year: Pre October 1936

Power:

Circuit:

IF:

Tubes:

Bands:

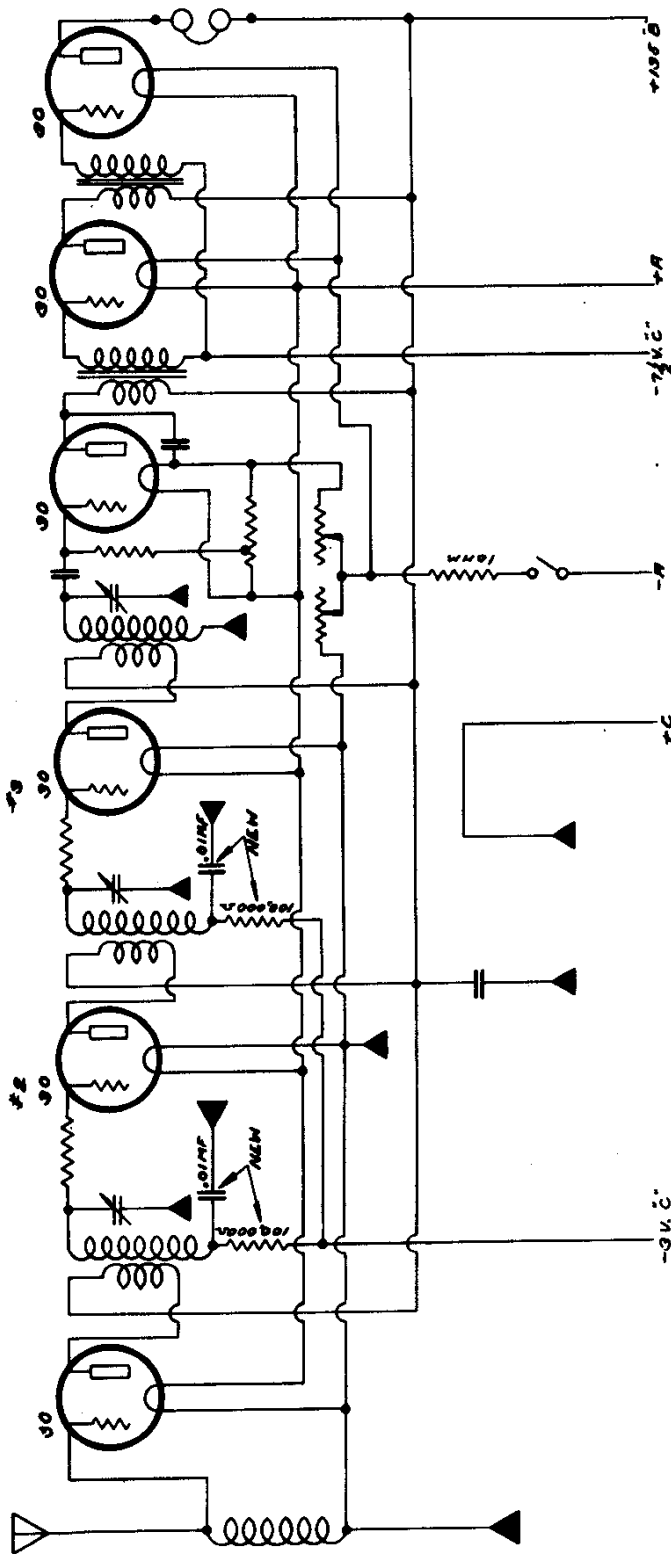
Resources

Riders Volume 7 - A-K 7-1

Riders Volume 1 - A.-K. 1-4

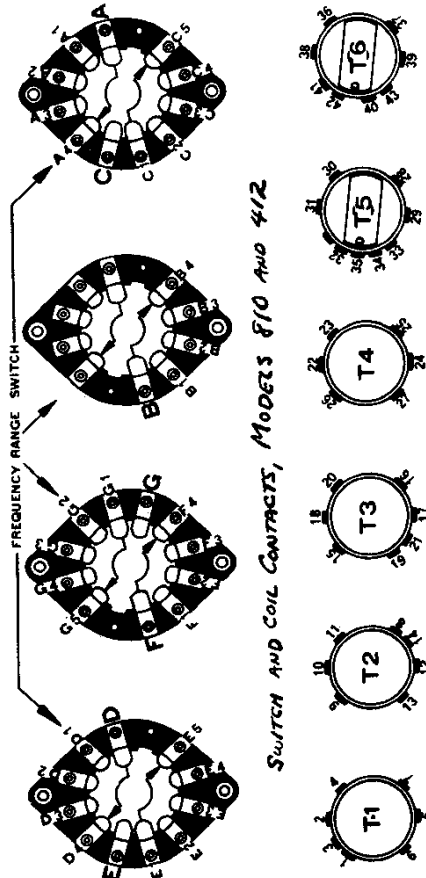
ATWATER KENT MFG. CO.

MODEL 35
Schematic
MODELS 412, 810
Coil Data



NOTE: 3 VOLT BARS ON #2, #3

SCALE	NO. REQ.
MATL.	
ATWATER KENT MFG COMPANY PHILADELPHIA PA	
NAME MODEL 35 FOR OPERATING WITH 2 VOLT AIR CELL	
USED IN	
DRW. NO.	APPROVED
DATE 9-11-54 DRAW. NO. 01	

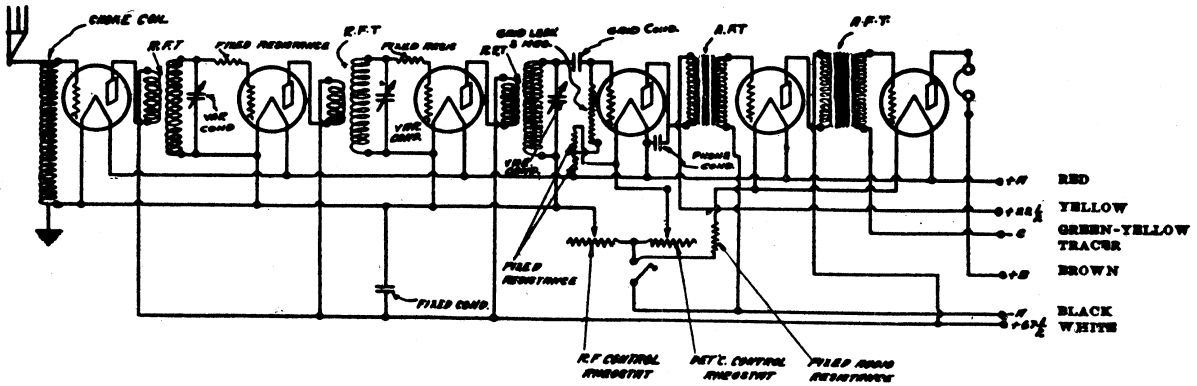


SWITCH AND COIL CONTACTS, MODELS 810 AND 412

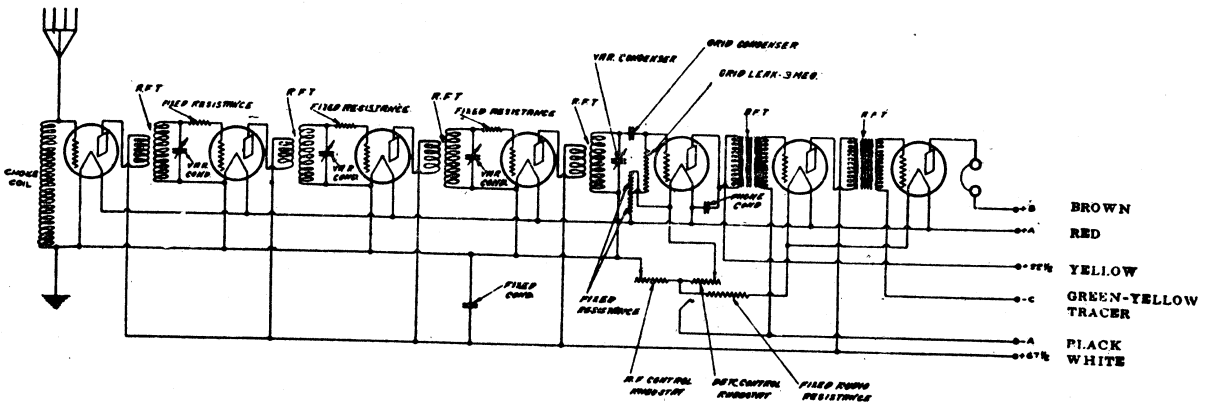
CONTACTS NO. 1 ON T1—8 ON T2—19 ON T3 ARE MOUNTED AT TOP
 25, 24 ON T5
 40, 42 ON T6 ARE MOUNTED AT BOTTOM

MODEL 30
 MODEL 32
 MODEL 35
 MODEL 48

ATWATER KENT MFG. CO.



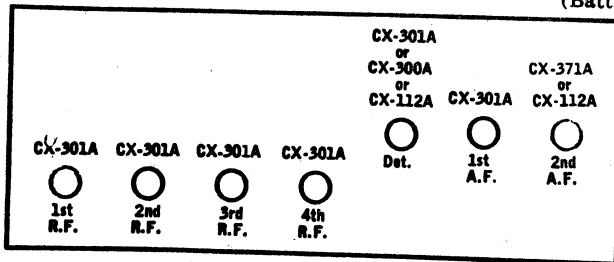
WIRING DIAGRAM OF MODELS 30, 35 AND 48. (In Model 35, one rheostat controls the three R.F. filaments and a fixed resistance is connected in series with the detector and two A.F. filaments.)



WIRING DIAGRAM OF MODEL 32.

32

(Batt.)



30, 33, 35, 48, 49

(Batt.)

